



Products

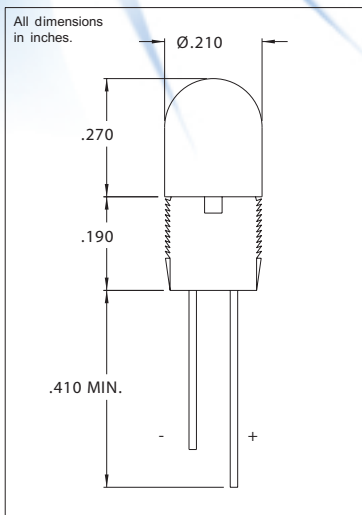
LED Indicators

CML IT offers panel mount indicators manufactured with LED, Neon or Incandescent light sources. These indicators are available in a number of different lens and termination styles, with voltages of 2V ~ 250V available off-the-shelf.

	<p>Part Number: 5200F5 Serial Number: 5200 Mounting hole (inch): 3/16" Mounting hole (metric): 4.76mm Indicator type: Mounting type: Bezel type: Bezel material: Bezel color: Bezel size: Protection: Lens type: Lens color: Green Diffused Lens size: Connector tpe: Connector number: Connector for lamp test: Number LED chip: Indicator color: green Dom wave length: Peak wave length (mA): 563.0 Op. voltage (V): 2.1 Forward volt max: 3.0 Rectifier: AC current: DC current: 10.0 Lum in min (mcd): 9.0 Lum in type (DC): 25.0 Voltage type (%): Op. temperature (°C): Storage temperature (°C): Narrative: Viewing angle (°): RoHS Status: Yes</p>
--	--

5200F Series Panel Mounted LED Indicator Light

DESCRIPTION AND FEATURES



Features

- Quick push-in panel mounting.
- Attractive appearance.
- Wide angle visibility.
- High-intensity light output (GaAsP on GaP for red and yellow, GaP for green.)

These assemblies offer the superior performance of SUPER BRITE LEDs in a package that is economical to buy and install.

Mounting: Will snap-fit into Ø.187/.192 hole in panels .020/.097 thick

Lens: Polycarbonate

ELECTRO-OPTICAL CHARACTERISTICS

Part Number	Color	Typ. Intensity (mcd)	Rated Current (mA)	Continuous Forward Current Max. (mA)	Forward Voltage Typ. (V)	Forward Voltage Max. (V)	Peak Forward Current @ 1ms-300pps (A)	Reverse Break-down Voltage Min. (V)
5200F1	Red	6	10	30	2.0	3.0	1.0	5
5200F5	Green	12	20	30	2.2	3.0	.09	5
5200F7	Yellow	20	20	30	2.1	3.0	1.0	5